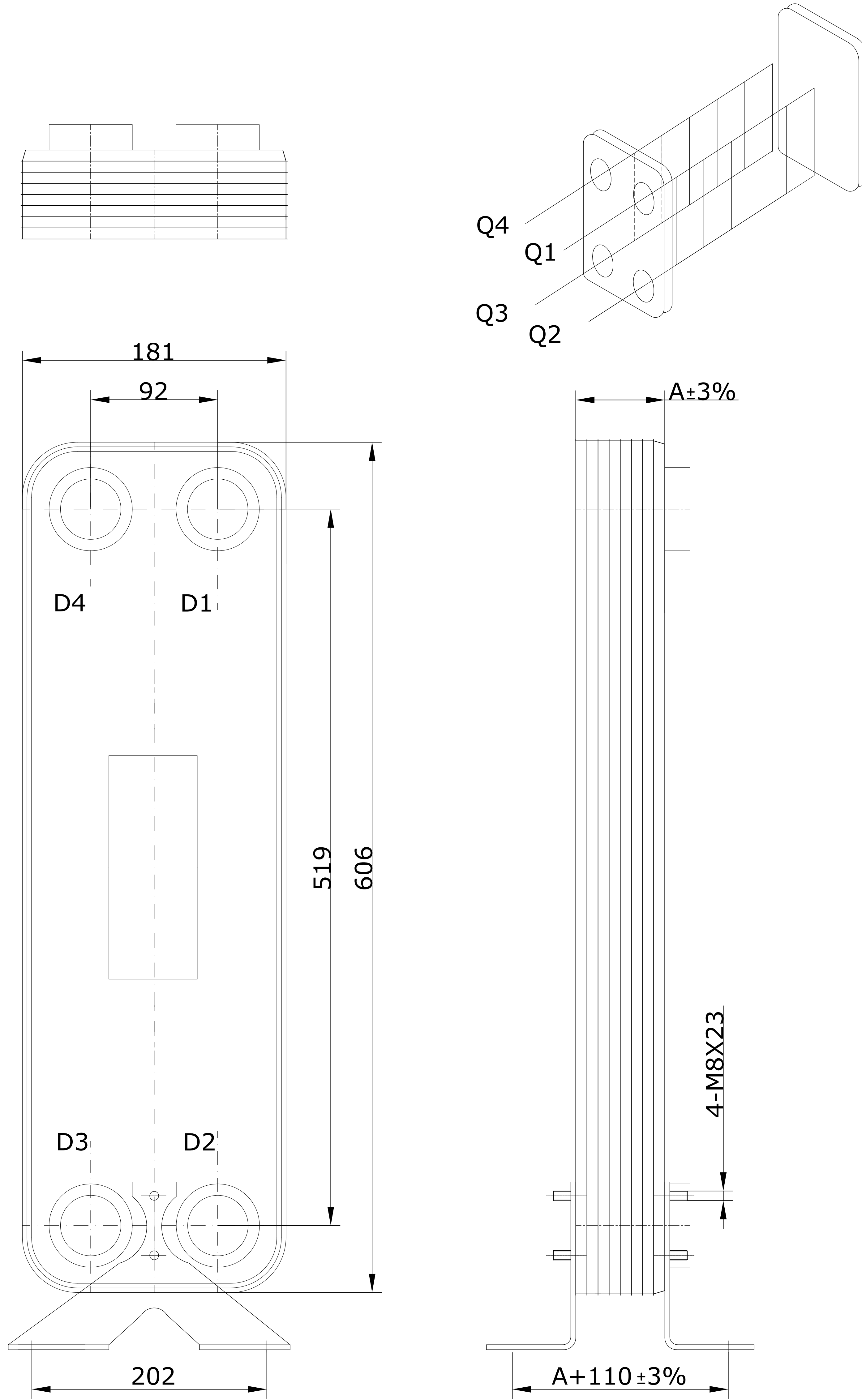
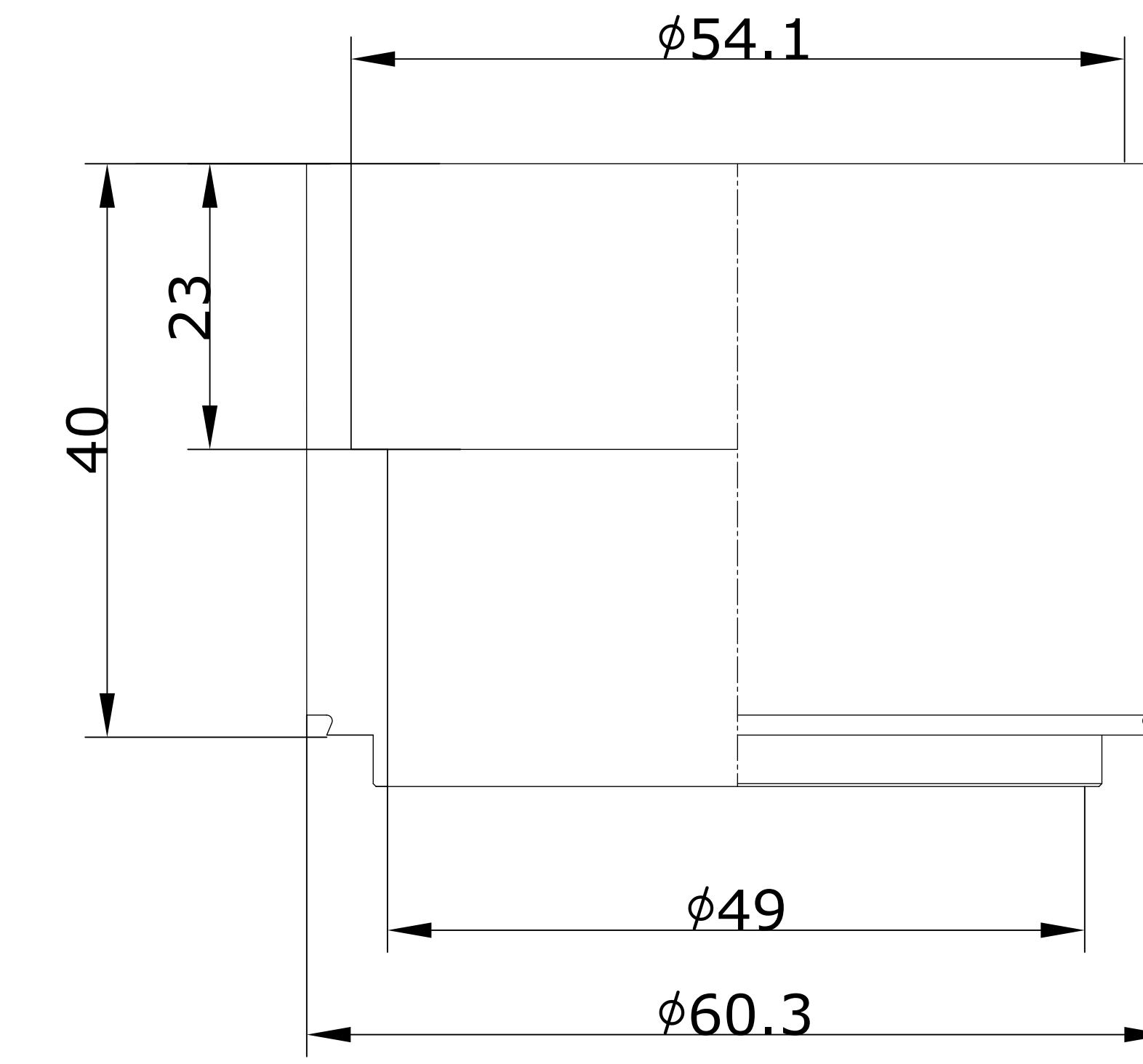
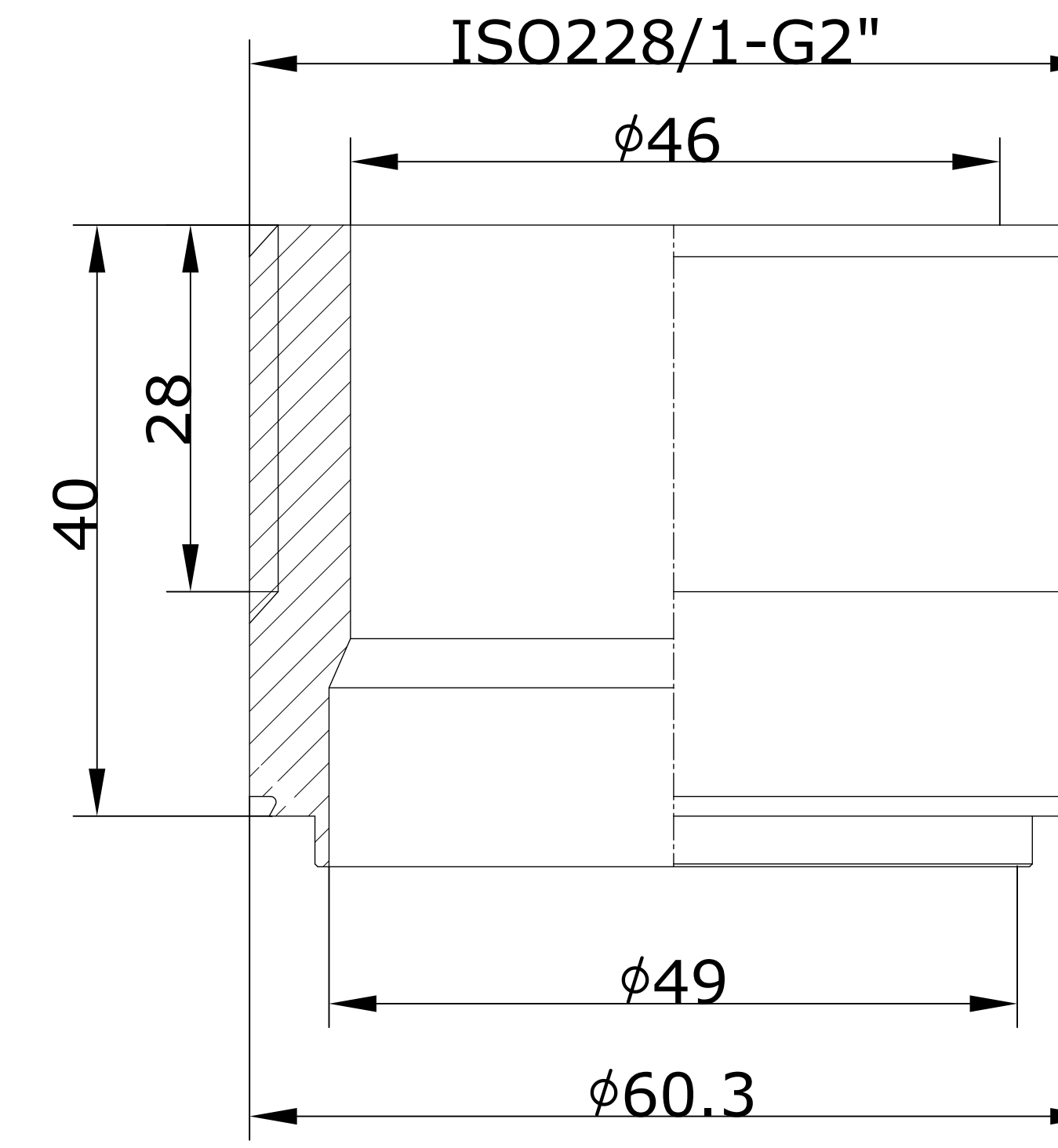


CONTROLLED



Q1-Q2
L2"(W520)
Thread connection

Q3-Q4
H2"1/8(H5212)
Solder connection



ID	RIDAN Code	Drawing No.	Model	Plates(n)	A	Weight	Volume
1	111B0273R	23016921- 01	095B	100	292	42.248Kg	Q1Q2:12.5L/Q3Q4:12.25L
2	111B0274R	23016921- 02	095B	140	404	50.808Kg	Q1Q2:17.5L/Q3Q4:17.25L
3	111B0275R	23016921- 03	095B	160	461	64.088Kg	Q1Q2:20L/Q3Q4:19.75L

DESIGN DATA	
DESIGN PRESSURE	3.0MPa
TEST PRESSURE	4.5MPa
DESIGN TEMPERATURE	-196/+225
LEAKAGE TEST	Helium Test
PLATE MATERIAL	316L
PIPE MATERIAL	304
FRAME MATERIAL	304

Assembly drawing	DEPARTMENT	Sales Department	DATE	2024/01/ 31	SCALE		
	DESIGNER	JLN					
	INSPECTOR	ZJF			DESIGNATION:	RD-095B-140-3,0-H-Q1Q2(L2)/Q3Q4 (H2"1/8)	
	APPROVAL	FL			DRAWING NO.	23016921	